

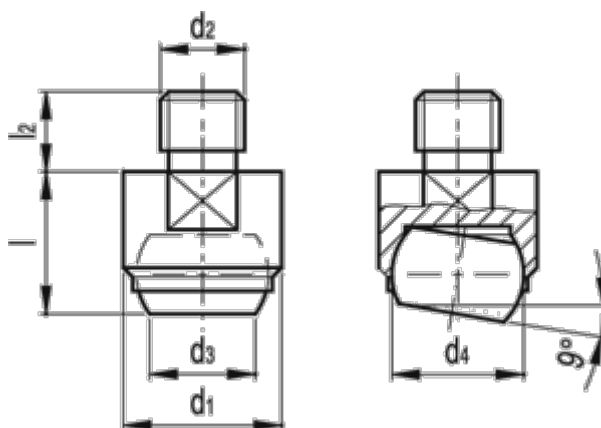
Data Sheet



Article number: 20251414

Description: E+G Clamping pad
GN 709.1-20-M12-B

Measures



d1	= 20
d2	= M12
d3	= 10.5
d4	= 16
l +/-0.02	= 18
l2	= 12
Max static load (KN)	= 25
s	= 17

Weight (g) = 40